


	PART No.	DESCRIPTION	SPECIFICATION
	<p>WTP-10xx* (*xx = number of breakers) TrakPak Circuit Limiting Panel</p> <p>When ordering, specify breaker sizes in sequence from left to right.</p>	<ul style="list-style-type: none"> Most State Energy Codes require an energy deduction for each lineal foot of track lighting installed. This may restrict the installation of other lighting fixtures for this space. A solution is to install the TrakPak Panel. It has supplemental step-down breakers which provide reduced current to the track circuits. The volt-ampere rating of the breaker can be used instead of the lineal feet of the track lighting circuit, thereby reducing the energy deduction. TrakPak Current Limiting Panels are designed to reduce the amperage available on electrical circuits feeding track lighting systems. TrakPak WTP-10xx Current Limiting Panels are available with up to 15 circuit breakers of various amperage capacities from 0.5 to 16 amperes, allowing flexibility of design in total watts per square foot calculations. 	<p>Enclosure</p> <ul style="list-style-type: none"> The enclosure, which meets NEMA 1 Standard, is made of steel coated with ANSI/ASA 61 Grey. Coating is heat fused polyester epoxy. Hinged door with lock. <p>Interior</p> <ul style="list-style-type: none"> Interior insert is made from aluminum, steel and plastic parts. Insert has DIN rail in center for mounting circuit breakers. One neutral terminal for each installed circuit breaker. One ground terminal for every 2 installed circuit breakers. <p>Certifications</p> <ul style="list-style-type: none"> UL 508. EEMC. NEMA 1. <p>Capacity</p> <ul style="list-style-type: none"> Available with quantities of 1 to 15 circuit breakers. Circuit breakers, which are used to reduce the line amperage, can each be from 0.5 Amp to 16 Amp capacity.

TrakPak Enclosure

- NEMA 1 enclosure with hinged locking cover. Surface or flush mounted.

Neutral Terminals (quantity: 1-15)

- One terminal provided for each circuit breaker for neutral wire to output circuit if needed.

Ground Terminals (quantity: 1-8)

- One terminal with 2 inputs provided for every 2 circuit breakers for output circuit ground wires if needed.

Individual Lighting Circuits, as required (current destination)

- Ampere rating of breaker supplying circuit determines energy usage.

Current Limiting Circuit Breakers (quantity: 1-15)

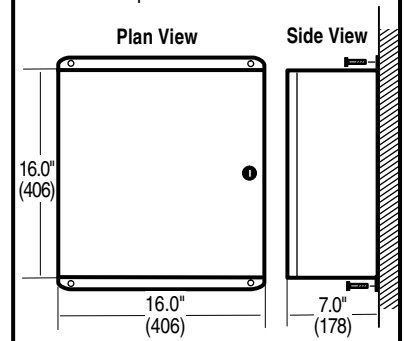
- Up to 15 circuit breakers, each supplying a track lighting circuit.
- Breaker rating from 0.5 Amp to 16 Amp output.
- Ampere rating, rather than lineal footage of track, determines energy usage.
- Circuit breaker ampere ratings available include: 0.5, 1, 2, 3, 4, 5, 6, 8, 10, 12, 13, 15 and 16 Amp.

Output Distribution Panel (current source)

- Normal or emergency circuit breaker panel.
- Can be single phase or three phase, 120VAC-277VAC.

DIMENSIONS & MOUNTING

- Surface or flush mount NEMA 1 enclosure.
- Bolt enclosure to wall using mounting holes on top and bottom brackets.




California 2005 Title 24, Section 130 (c) 3:

Luminaire wattage incorporated into the installed lighting power shall be determined in accordance with the following criteria...

3. The wattage of line-voltage lighting track and plug-in busway which allows the addition or relocation of luminaires without altering the wiring of the system shall be the volt-ampere rating of the branch circuit feeding the luminaires ...

The **TrakPak Current Limiting Panel** reduces the calculated wattage of track lighting circuits by providing lower-current-rated feeds.

	PART No.	DESCRIPTION	SPECIFICATION
	<p>WTP-20xx* (*xx = number of breakers) TrakPak Circuit Limiting Panel</p> <p>When ordering, specify breaker sizes in sequence from top to bottom.</p>	<ul style="list-style-type: none"> Most State Energy Codes require an energy deduction for each lineal foot of track lighting installed. This may restrict the installation of other lighting fixtures for this space. A solution is to install the TrakPak Panel. It has supplemental step-down breakers which provide reduced current to the track circuits. The volt-ampere rating of the breaker can be used instead of the lineal feet of the track lighting circuit, thereby reducing the energy deduction. TrakPak Current Limiting Panels are designed to reduce the amperage available on electrical circuits feeding track lighting systems. TrakPak WTP-20xx Current Limiting Panels are available with 16 to 42 circuit breakers of various amperage capacities from 0.5 to 16 amperes, allowing flexibility of design in total watts per square foot calculations. 	<p>Enclosure</p> <ul style="list-style-type: none"> The enclosure, which meets NEMA 1 Standard, is made of steel coated with ANSI/ASA 61 Grey. Coating is heat fused polyester epoxy. Hinged door with lock. <p>Interior</p> <ul style="list-style-type: none"> Interior insert is made from aluminum, steel and plastic parts. Insert has DIN rail in center for mounting circuit breakers. One neutral terminal for each installed circuit breaker. One ground terminal for every 2 installed circuit breakers. <p>Certifications</p> <ul style="list-style-type: none"> UL 508. EEMC, NEMA 1. <p>Capacity</p> <ul style="list-style-type: none"> Available with quantities of 16 to 42 circuit breakers. Circuit breakers, which are used to reduce the line amperage, can each be from 0.5 Amp to 16 Amp capacity. <p>Environment</p> <ul style="list-style-type: none"> Environment: indoors, stationary, non-vibrating atmosphere and non-condensing humidity. Ambient operating temp: -15° F to +120° F (-25° C to +50° C).

TrakPak Enclosure

- NEMA 1 enclosure with hinged locking cover. Surface or flush mounted.

Neutral Terminals (quantity: 16-42)

- One terminal provided for each circuit breaker for neutral wire to output circuit if needed.

Individual Lighting Circuits, as required (current destination)

- Ampere rating of breaker supplying circuit determines energy usage.

Ground Terminals (quantity: 8-21)

- One terminal 2 inputs per terminal provided for every 2 circuit breakers for output circuit ground wires if needed.

Current Limiting Circuit Breakers (quantity: 16-42)

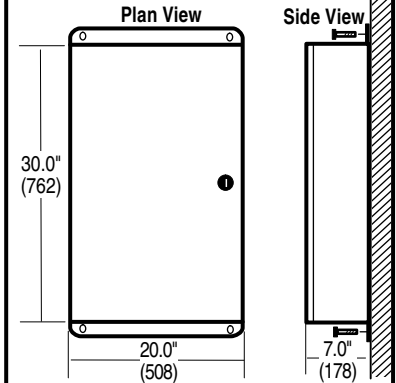
- 16 to 42 circuit breakers, each supplying a track lighting circuit.
- Breaker rating from 0.5 Amp to 16 Amp output.
- Ampere rating, rather than lineal footage of track, determines energy usage.
- Circuit breaker ampere ratings available include: 0.5, 1, 2, 3, 4, 5, 6, 8, 10, 12, 13, 15 and 16 Amp.

Output Distribution Panel (current source)

- Normal or emergency circuit breaker panel.
- Can be single phase or three phase, 120VAC-277VAC.

DIMENSIONS & MOUNTING

- Surface or flush mount NEMA 1 enclosure.
- Bolt enclosure to wall using mounting.



California 2005 Title 24, Section 130 (c) 3:

Luminaire wattage incorporated into the installed lighting power shall be determined in accordance with the following criteria...

3. The wattage of line-voltage lighting track and plug-in busway which allows the addition or relocation of luminaires without altering the wiring of the system shall be the volt-ampere rating of the branch circuit feeding the luminaires ...

The **TrakPak Current Limiting Panel** reduces the calculated wattage of track lighting circuits by providing lower-current-rated feeds.