
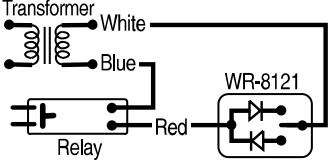
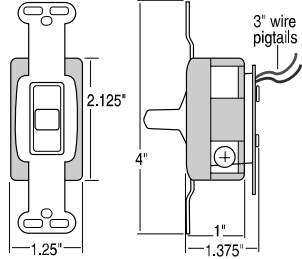


Toggle Switch

WR-8121

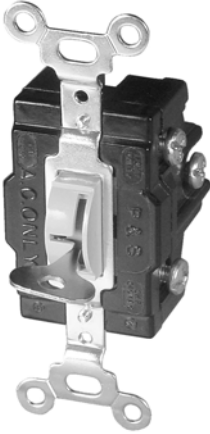
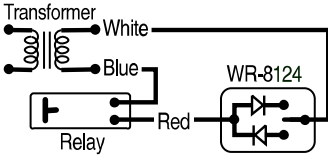
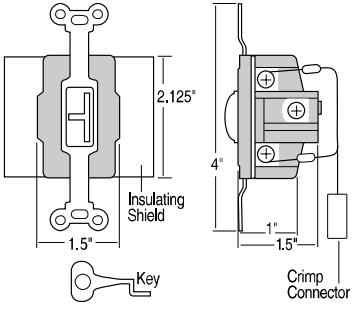
Technical Data

	PART No.	DESCRIPTION	DIMENSIONS
	WR-8121 Toggle Switch	<ul style="list-style-type: none"> The WR-8121 Toggle Switch provides momentary ON & OFF control. The WR-8121 can service a maximum of four 2-wire relays. Maximum wire distance: 500' (150m). For longer runs, switch fewer relays. Mount in standard wall box. Connect to relay(s) as shown: 	<ul style="list-style-type: none"> Plastic switch handle supplied in Ivory color, unless noted otherwise. Circuit board attached to back. 

Toggle Key Switch

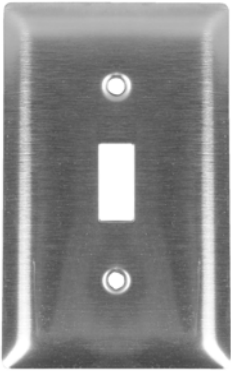
WR-8124

Technical Data

	PART No.	DESCRIPTION	DIMENSIONS
	WR-8124 Key Switch	<ul style="list-style-type: none"> The WR-8124 Toggle Key Switch provides momentary ON & OFF control. The WR-8124 can service a maximum of four 2-wire relays. Maximum wire distance: 500' (150m). For longer runs, switch fewer relays. Mount in standard wall box. Connect to relay(s) as shown: 	<ul style="list-style-type: none"> Key slot made from grey plastic. Diodes attach to back. Connect with crimp connect supplied. 

Cover Plates for Toggle or Key Switch

Technical Data

	PART No.	DESCRIPTION	DIMENSIONS
	WN-8111 1-Gang Toggle Switch Plate WN-8112 2-Gang Toggle Switch Plate WN-8113 3-Gang Toggle Switch Plate WN-8114 4-Gang Toggle Switch Plate	<ul style="list-style-type: none"> Stainless steel cover plates for WR-8121 Toggle Switches or WR-8124 Key Switches. When ordering a WR-8121 or WR-8124 switch, a cover plate is included in the price. A 1-gang cover plate is shipped standard. If any multi-gang cover plates are required, please advise when ordering and multi-gang plates will be supplied in lieu of 1-gang plates. 	