
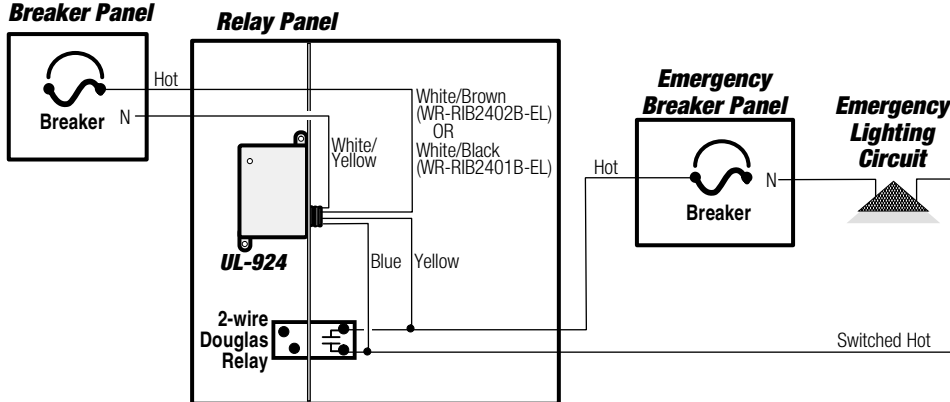


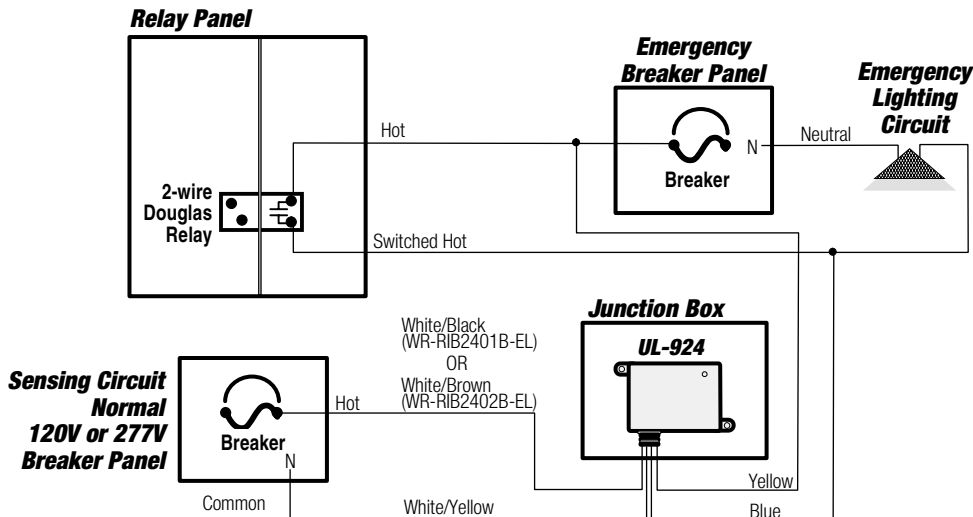
	PART No.	DESCRIPTION	SPECIFICATION
		<ul style="list-style-type: none"> <li>Enclosed relay circuit which shunts ON emergency lighting circuit during a power outage.</li> <li>Models available for 120V or 277V applications.</li> <li>Self-contained in Plenum, NEMA 1 rated enclosure which is easily mounted through a panel knockout or remotely on a flat surface.</li> <li>Indicator LED which is on whenever relay is activated.</li> <li>Available in 2 models:                             <ul style="list-style-type: none"> <li>-WR-RIB2401B-EL for 120V applications.</li> <li>-WR-RIB2402B-EL for 277V applications.</li> </ul> </li> </ul>	<p><b>Relays &amp; Contact Type</b></p> <ul style="list-style-type: none"> <li>One SPDT continuous duty coil.</li> <li>Expected relay life: 10,000,000 cycles minimum.</li> <li>Operate time: 18msec.</li> </ul> <p><b>Output Ratings</b></p> <p><b>WR-RIB2401B-EL</b></p> <ul style="list-style-type: none"> <li>20A with 24VDC/120VAC.</li> </ul> <p><b>WR-RIB2402B-EL</b></p> <ul style="list-style-type: none"> <li>20A with 24VDC/208-277VAC.</li> </ul> <p><b>Wires</b></p> <ul style="list-style-type: none"> <li>#16AWG.</li> <li>600V rated.</li> </ul> <p><b>Indicator LED</b></p> <ul style="list-style-type: none"> <li>Red LED on when relay activated.</li> </ul>
	WR-RIB2401B-EL	enclosed relay SPDT 20A : 120VAC.	
	WR-RIB2402B-EL	enclosed relay SPDT 20A : 208-277VAC.	

### CONNECTIONS: MOUNTING IN RELAY PANEL

**Sensing Circuit**  
Normal  
120V or 277V  
Breaker Panel



### CONNECTIONS: MOUNTING IN REMOTE PANEL



### Certifications and Approvals

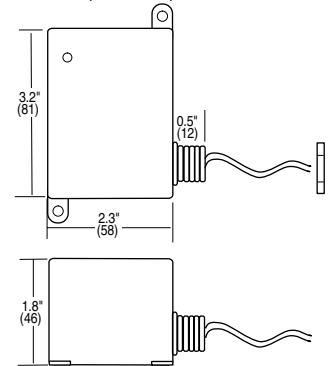
- Housing rating: Plenum, NEMA 1.
- UL Listed: UL924, UL916, UL864.
- C-UL, CE.
- California State Fire Marshal.

### Environment

- Indoors, stationary, non-vibrating, non-corrosive atmosphere and non-condensing humidity.
- Ambient temperature: -30°F to +140°F (-34°C to +60°C)

### DIMENSIONS & MOUNTING

- Mounts in panel through a 1/2" knockout (7/8" hole).



- Mounts on flat surface at 2 screw holes..

