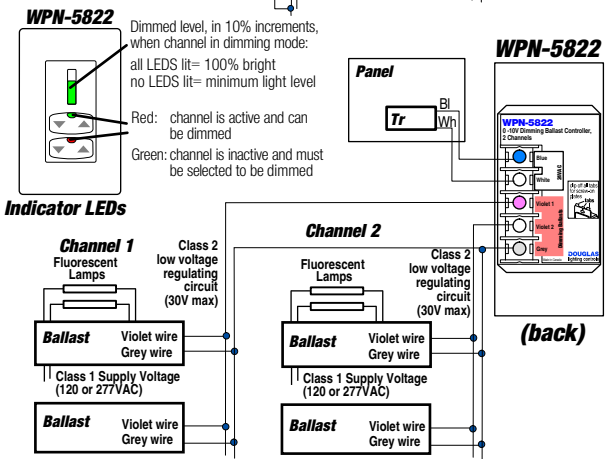
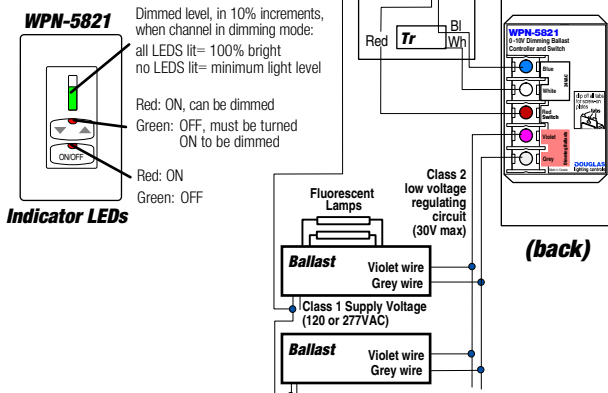


PART No.	DESCRIPTION	SPECIFICATION
<p>WPN-5821 Dimming Ballast Controller</p> <p>WPN-5822 2-Channel Dimming Ballast Controller</p> <p>WPN-5721 Analog Dimming Ballast Controller</p>	<p>WPN-5821 & WPN-5822</p> <ul style="list-style-type: none"> Operate channel(s) of up to 50 dimming ballasts. Dimming level controls with LED indicating dimming level. The WPN-5821 also has an ON/OFF switch for operating WR-6161 relays. The WPN-5822 operates 2 channels of dimming ballasts. <p>WPN-5721</p> <ul style="list-style-type: none"> Operates up to 50 dimming ballasts. Connect to low voltage control wire of ballast, 24VAC not required. 	<p>Input/Output</p> <ul style="list-style-type: none"> The WPN-5821 has two terminals for power (24VAC, 15ma) from the low voltage transformer in the panel and a terminal (Red) for its internal switch. The WPN-5822 has two terminals for power (24VAC, 15ma) from the low voltage transformer in the panel. Connect the control wires of all the dimmable ballasts in the channel in parallel to the Violet and Grey terminals of the WPN-5821 or WPN-5822 or to the violet and grey wires of the WPN-5721 (see connections). Use to control from 1 to 50 ballasts per channel. The maximum wire length to the farthest ballast should not exceed 300' (100m). <p>Compatible Ballasts</p> <ul style="list-style-type: none"> Compatible with dimmable electronic ballasts that use the 0-10V control method. Connections to ballasts are polarity sensitive. If the Dimming Ballast Controller is malfunctioning, check the polarity of all ballasts connected. <p>Adjustments</p> <p>WPN-5821</p> <ul style="list-style-type: none"> The light level is set by pressing the upper rocker switch. Pressing the (▼) side lowers the light level 2%, pressing (▲) side raises the light level 2%. Ballasts powered by relays may be turned ON or OFF by pressing the lower rocker switch. <p>WPN-5822</p> <ul style="list-style-type: none"> The light level for the ballasts in channel 1 is set by pressing the lower rocker switch. The light level for the ballasts in channel 2 is set by pressing the upper rocker switch. <p>WPN-5721</p> <ul style="list-style-type: none"> The light level is set by turning the knob. <p>Environment</p> <ul style="list-style-type: none"> Indoors, stationary, non-vibrating, non-corrosive atmosphere and non-condensing humidity. Ambient operating temperature: -15°F to +140°F (-25°C to +60°C).

INSTALLATION & CONNECTIONS: WPN-5821/5822

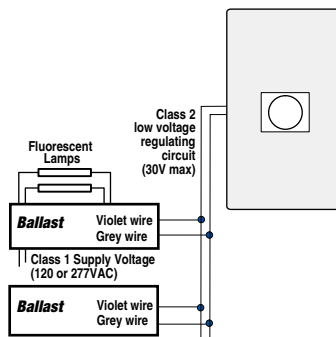
- Connect the dimming control wires from the dimmable ballasts to the screw terminals. Take special care to observe polarity. If the polarity is incorrect for some or all of the ballasts, the wall dimmer will malfunction but will not be damaged. Check and correct polarity if irregular operation is observed. Connect 24VAC.



- The WPN-5822 only raises and lowers the light level. With the WPN-5822, use a wall switch or Douglas low voltage relay to switch the ballast(s) ON and OFF.
- The WPN-5822 is a Low Voltage Class 2 device. Be sure to observe Class 1 and Class 2 separation if using the WPN-5822 in conjunction with line voltage switching (120, 277 or 347 VAC).

INSTALLATION & CONNECTIONS: WPN-5721

- Connect the dimming control wires from the dimmable ballasts to control knob. Take special care to observe polarity. If the polarity is incorrect for some or all of the ballasts, the wall dimmer will malfunction but will not be damaged. Check and correct polarity if irregular operation is observed.
- The WPN-5721 only raises and lowers the light level. Use a wall switch or Douglas low voltage relay to switch the ballast(s) ON and OFF. The WPN-5721 is a Low Voltage Class 2 device. Be sure to observe Class 1 and Class 2 separation if using the WPN-5721 in conjunction with line voltage switching (120, 277 or 347 VAC).



DIMENSIONS & MOUNTING

